

SPEEDWAY

LF90ST-C Inline Overflow Filler

LF90ST-PD Inline Overflow Filler

Semi Automatic Liquid Filler

The LF90 Series of inline overflow fillers uses a modular design to satisfy a wide variety of filling needs. These straight line fillers are constructed for pressure/overflow operation and comes standard with stainless steel leveling feet. Container sizes from 150 ml to 10 L can be accommodated.

Picture shown with optional casters.



Manufactured in Canada by:
Speedway Packaging Machinery Inc.
www.speedwaypack.com

LF90ST-C Inline Overflow Liquid Filler

LF90ST-PD Inline Overflow Liquid Filler

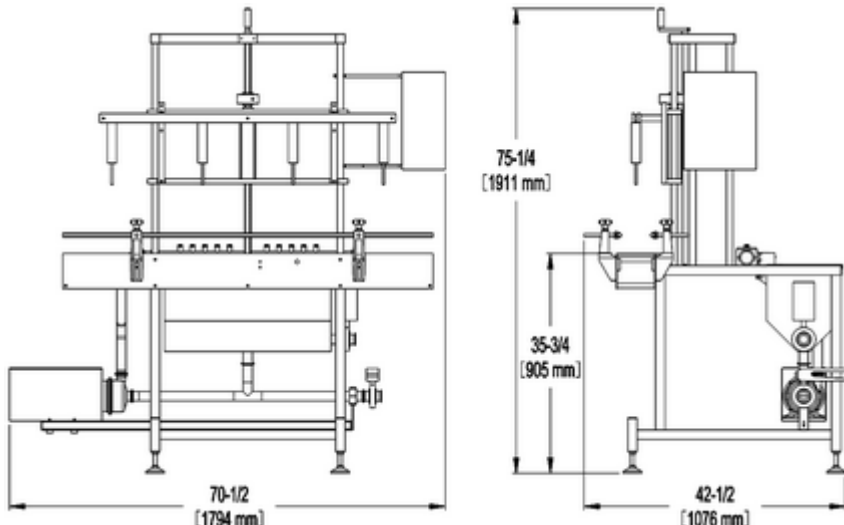
Specifications

Voltage/Power - C	110 VAC 1 PH 60 HZ .5 HP / 6 amps
- PD	220 VAC 1 PH 60 HZ 1 HP / 10 amps
Controls	Mitsubishi PLC / Aromat touch screen
Max. Bottle Height	400 mm (15 3/4")
Slide Track	60" long (1520 mm) x 6" wide (150 mm)
Air Consumption	2-3 c.f.m.
Nozzles	Stainless steel or PVC 3/8" up to 1 1/4"
Accuracy	+/- 1/32"
Optional	Drip tray Oversize tank Casters 10' Slide Track

Material

Stainless steel and anodized aluminum construction

Dimensions



Specifications are subject to change without notice-

The LF90 Series of Inline Overflow Liquid Fillers has powerful features to meet production needs!!!

- ◆ LF90ST-C comes complete with a sanitary centrifugal pump.
- ◆ LF90ST-PD comes complete with a sanitary positive displacement pump.
- ◆ Pump draws from the built in tank sending liquid to the manifold and from there to the nozzles.
- ◆ Easy and fast adjustment for accurate fills.
- ◆ Can be adapted to different applications, allowing smooth production runs and no hassles for high efficiency.
- ◆ Built in stainless steel holding tank with level control.
- ◆ Overflow goes directly back into the holding tank.
- ◆ 316 stainless steel nozzles with Teflon seals and viton o-rings.
- ◆ The hoses connect to a rigid top body preventing hose strain from effecting nozzle performance
- ◆ 8 memory slots to store filling parameters for future use.
- ◆ Easy to integrate into a production line or in stand alone operation, it is the best machine in terms of cost and performance.
- ◆ Stainless steel threaded leveling feet.
- ◆ The machine is self contained needing only AC power, compressed air and to be connected to the main liquid supply.

Manufactured in Canada by:

SPEEDWAY PACKAGING MACHINERY INC.
P.O. Box 520
10 Gormley Industrial Ave., Unit 1
Gormley, Ontario
L0H 1G0
905-888-5344